

DESCRIPTION: RENDER-VIEW

DIMENSION:  $39\text{-}1/4\text{"D} \times 87\text{-}5/16\text{"W} \times 72\text{"H}$

ISU-LOFT BED CHANNEL  
NEW STANDARD

PRINT# **DH-46**

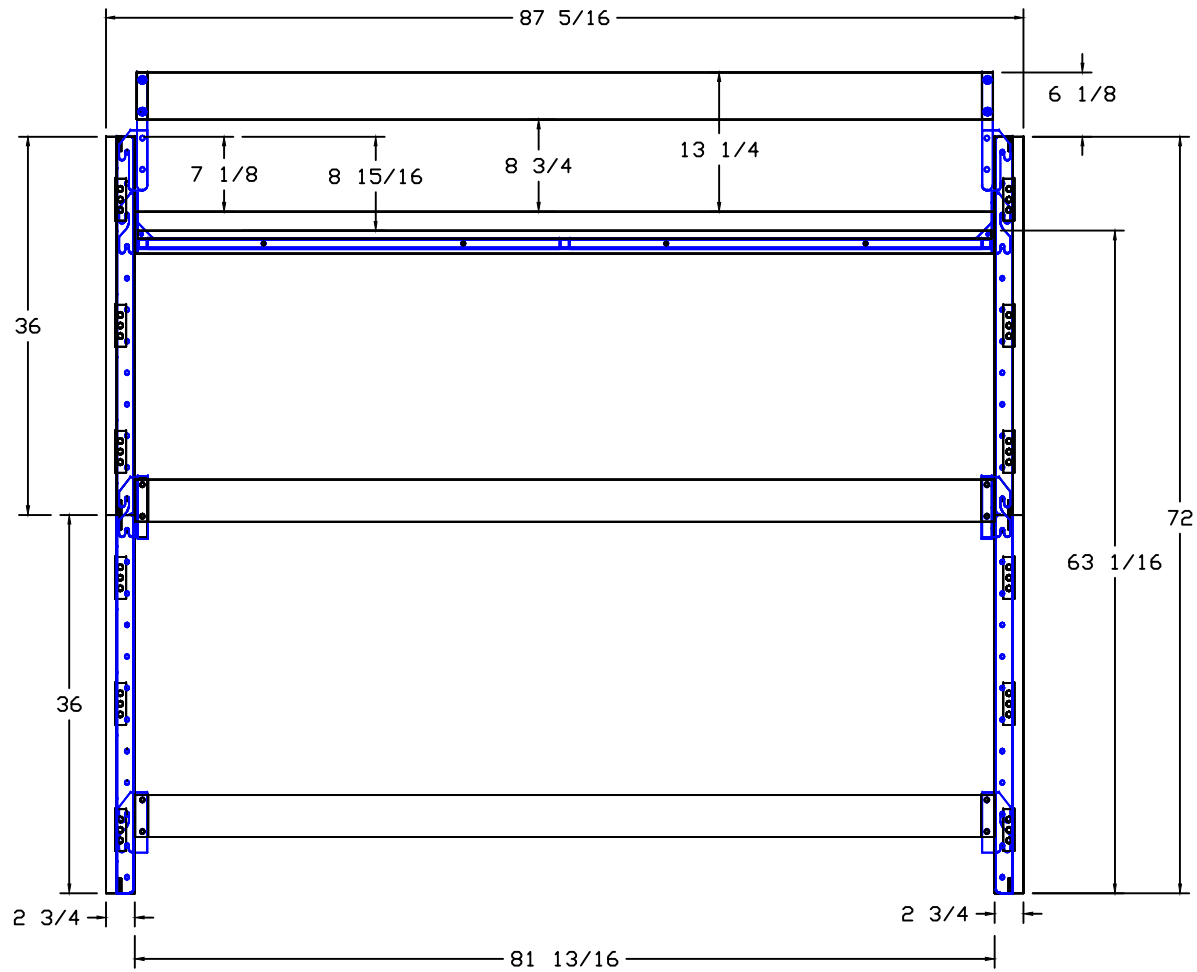
LOCATION: **WIPI-TOURISM-SVR\CAD 2014\CUSTOM ITEMS\DH\PDF\DH-46 ISU LOFT BED CHANNEL-NEW STAND.**

QTY: 1  
Part #: xx

REQUESTED BY: SETH ESSING  
DATE: 8/1/14

REV: 12/10/14

DRAWN BY: HARRIS  
SHEET 1 OF 10



DESCRIPTION: FRONT-VIEW

DIMENSION: 39-1/4"D x 87-5/16"W x 72"H

ISU-LOFT BED CHANNEL  
NEW STANDARD

PRINT# DH-46

LOCATION: \\PIPI-TOURISM-SVR\CAD 2014\CUSTOM ITEMS\DH\PDF\DH-46 ISU LOFT BED CHANNEL-NEW STAND.

QTY: 1  
Part #: xx

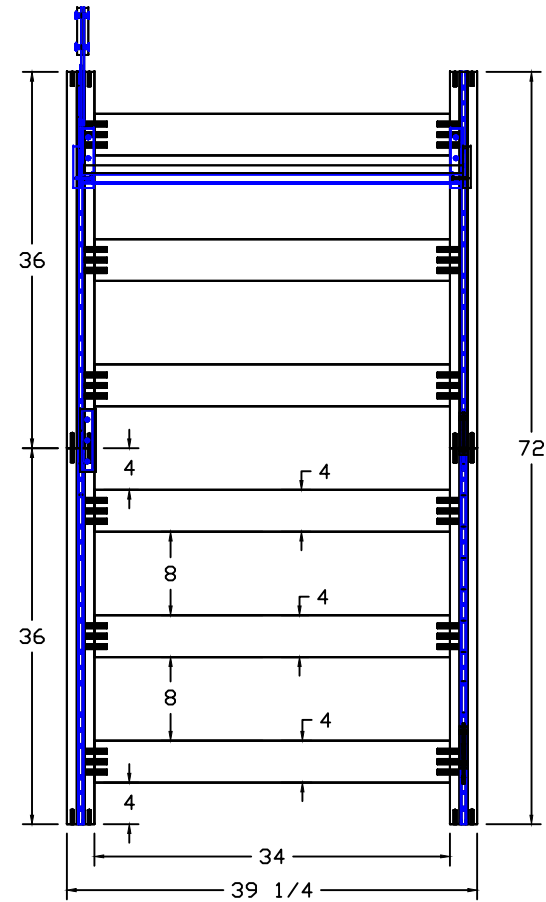
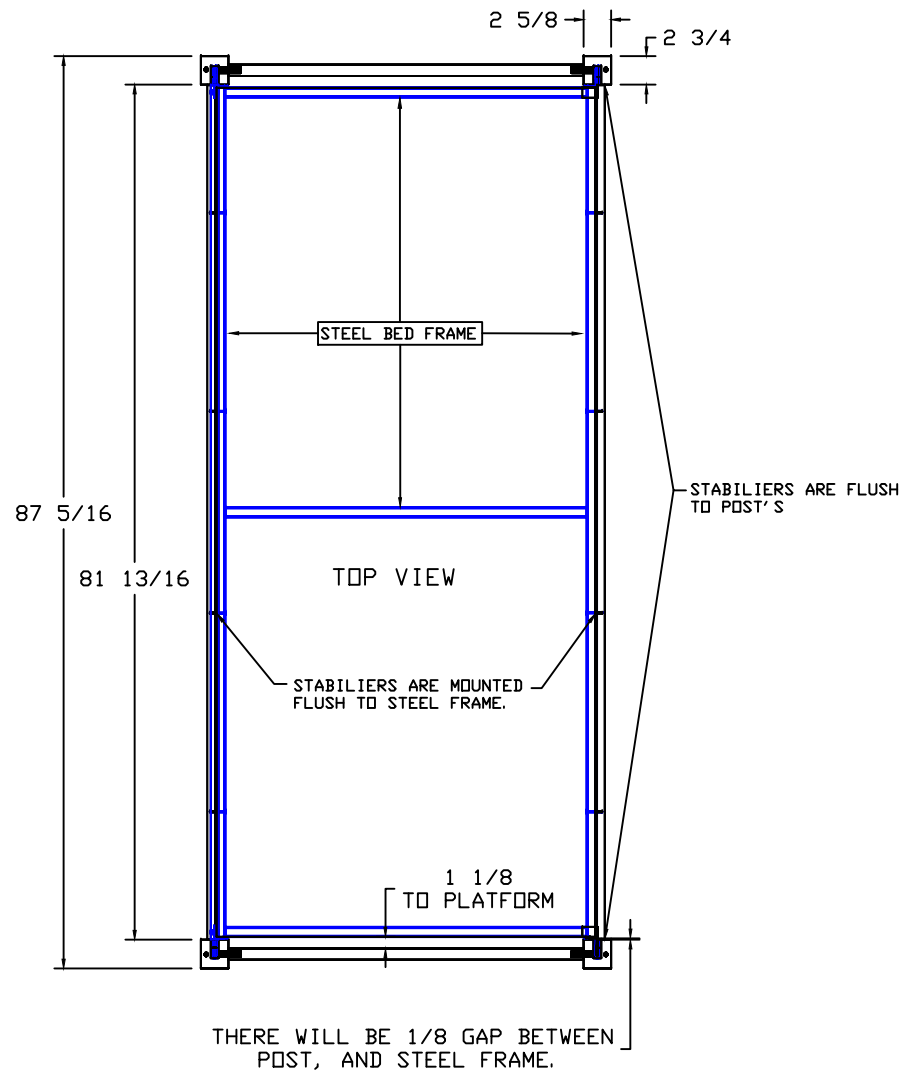
REQUESTED BY: SETH ESSING

DRAWN BY: HARRIS

DATE: 8/1/14

REV: 12/10/14

SHEET 2 OF 10



DESCRIPTION: MULTI-VIEW

DIMENSION: 39-1/4"D x 87-5/16"W x 72"H

ISU-LOFT BED CHANNEL  
NEW STANDARD

PRINT# DH-46

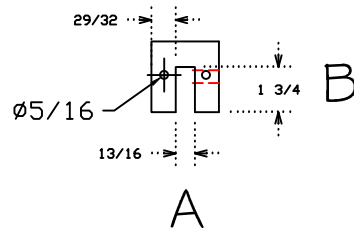
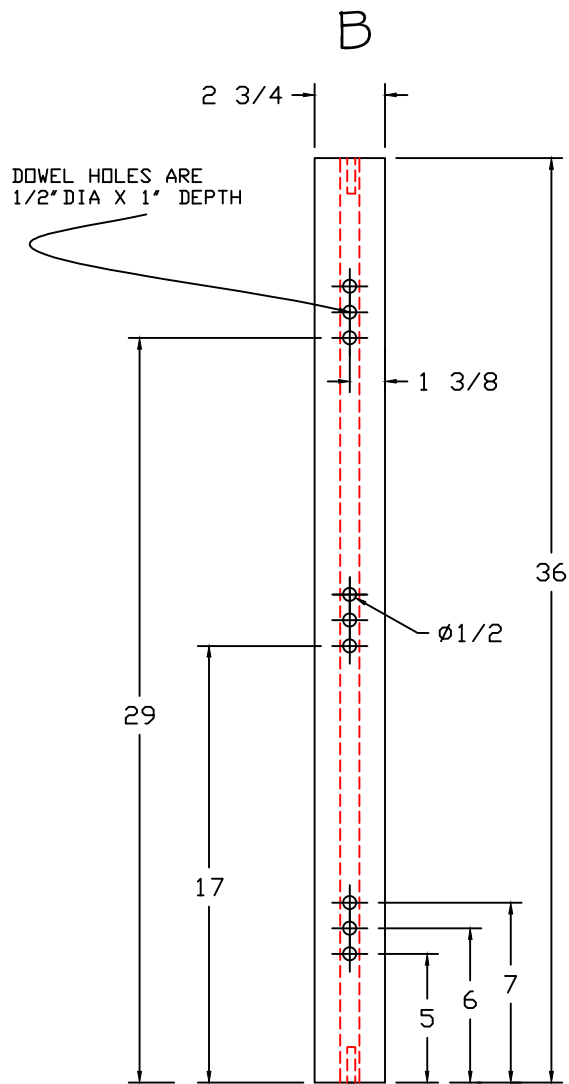
LOCATION: WIPI-TOURISM-SVR\CAD 2014\CUSTOM ITEMS\DH\PDF\DH-46 ISU LOFT BED CHANNEL-NEW STAND.

QTY: 1  
Part #: xx

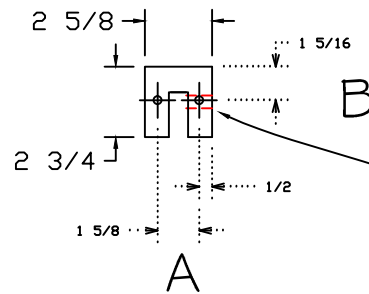
REQUESTED BY: SETH ESSING

DATE: 8/1/14

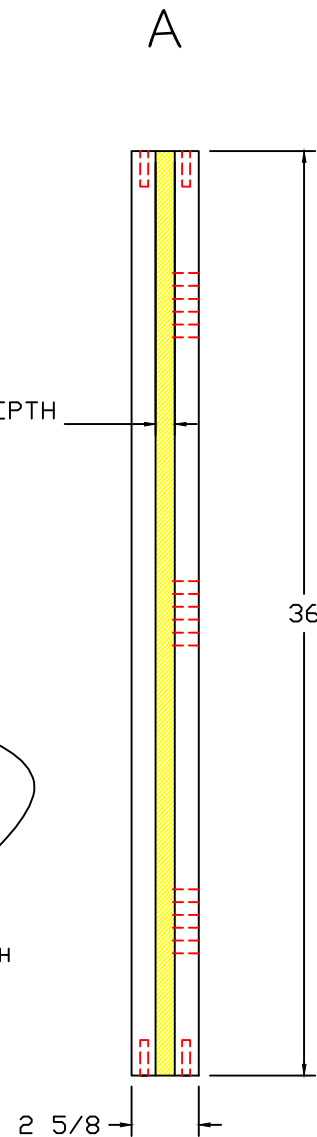
REVISION: 12/10/14  
DRAWN BY: HARRIS



13/16" WIDE x 1-3/4" DEPTH  
CHANNEL ROUT



PIN HOLES ARE  
5/16" DIA X 1 3/8" DEPTH



DESCRIPTION: POSTS (LEFTS / RIGHTS)

DIMENSION: 2-5/8 x 2-3/4 x 36

ISU-LOFT BED CHANNEL  
NEW STANDARD

PRINT# DH-46

LOCATION: WIPI-TOURISM-SVR\CAD 2014\CUSTOM ITEMS\DH\PDF\DH-46 ISU LOFT BED CHANNEL-NEW STAND.

QTY: 8  
Part #: xx

REQUESTED BY: SETH ESSING

DRAWN BY: HARRIS

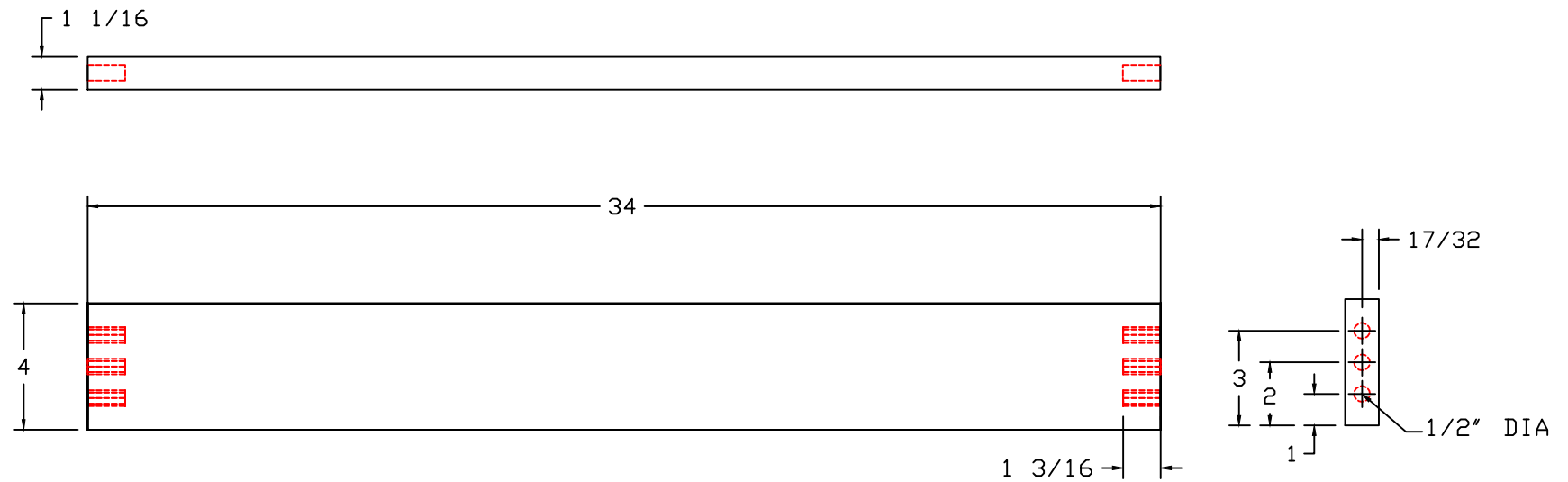
DATE: 8/1/14

REV: 2/4/15

SHEET 4 OF 10

NOTE: ALL DOWEL HOLES ARE  
1/2" DIA x 1-3/16" DEPTH

NOTE: ALL EDGES GET  
3/16" ROUND-OVER.  
(NOT ENDS)



DESCRIPTION: RAILS

DIMENSION: 1-1/16 x 4 x 34

ISU-LOFT BED CHANNEL  
NEW STANDARD

PRINT# **DH-46**

LOCATION: WIPI-TOURISM-SVR\CAD 2014\CUSTOM ITEMS\DH\PDF\DH-46 ISU LOFT BED CHANNEL-NEW STAND.

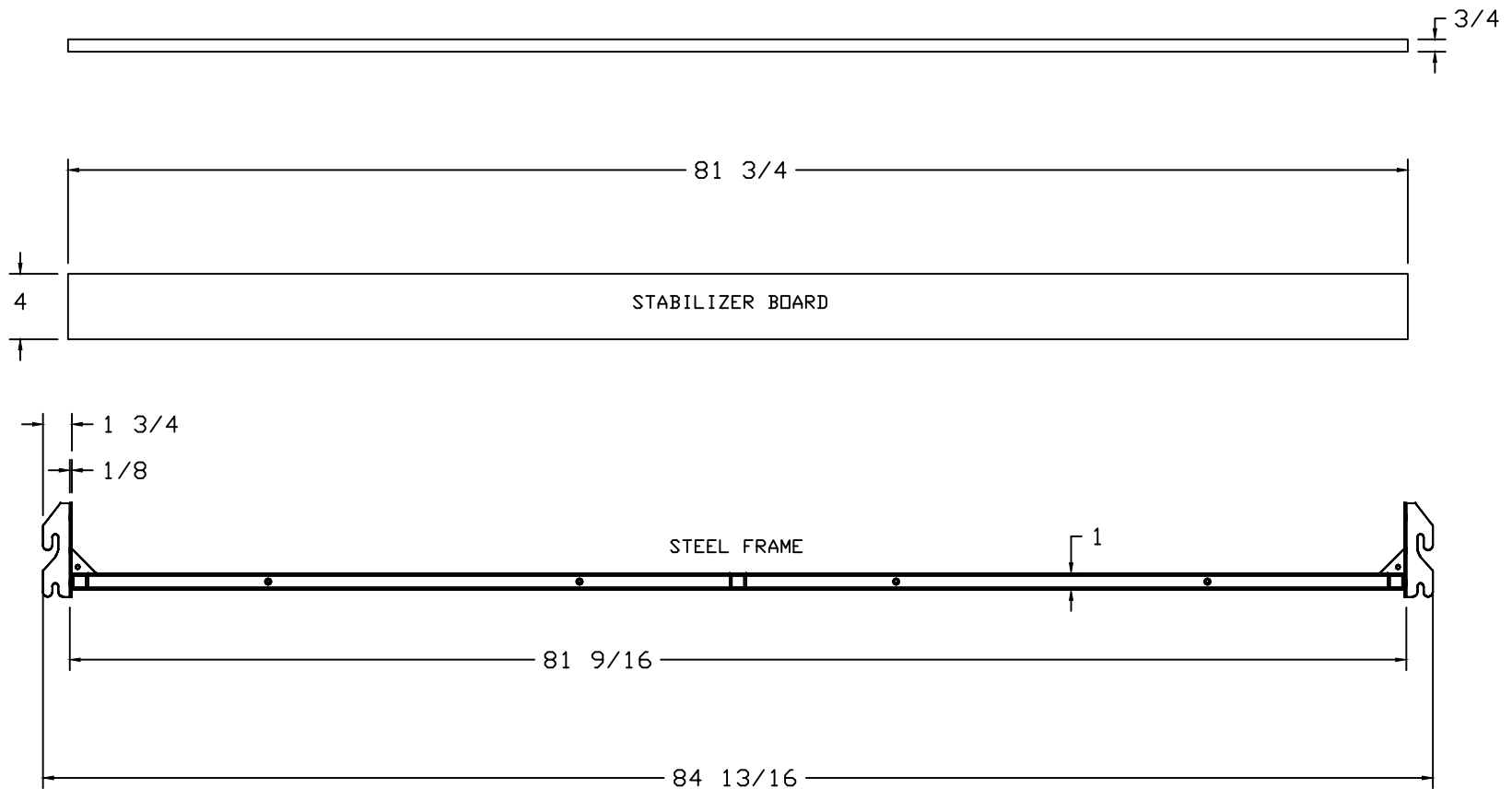
QTY: 12  
Part #: xx

REQUESTED BY: SETH ESSING

DATE: 8/1/14

REV: 12/10/14  
DRAWN BY: HARRIS

NOTE: ALL EDGES GET  
 3/16" ROUND-OVER.  
 (NOT ENDS)



DESCRIPTION: FRAME STABILIZERS

DIMENSION:  $\frac{3}{4} \times 4 \times 81\text{-}\frac{3}{4}$

ISU-LOFT BED CHANNEL  
 NEW STANDARD

PRINT# **DH-46**

LOCATION: WIPI-TOURISM-SVR\CAD 2014\CUSTOM ITEMS\DH\PDF\DH-46 ISU LOFT BED CHANNEL-NEW STAND.

QTY: 2  
 Part #: xx

REQUESTED BY: SETH ESSING

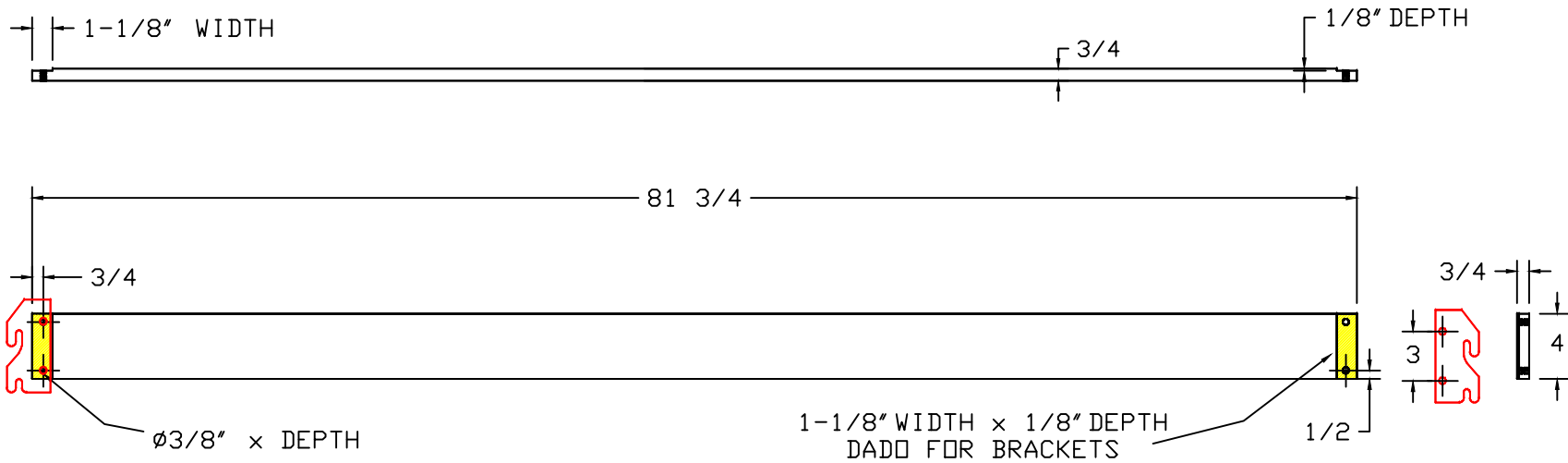
DRAWN BY: HARRIS

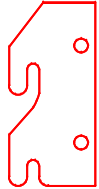

DATE: 8/1/14

REV: 12/10/14

SHEET 6 OF 10

NOTE: THESE STABILIZERS WILL NO LONGER BE SLOTTED.  
 THE END DADOS ARE THE REPLACEMENT.



<p>HARDWARE</p> <p>FLAT TWO HOOK BRACKET          # RBR11400</p> 	<p>HARDWARE</p> <p>12mm NUT</p> <p>15mm BOLT</p> <p>12mm NUT          # SPNUTCONN12MM QTY. 8</p> <p>15mm BOLT          # SPBOLTCONN15MM QTY. 8</p> 
----------------------------------------------------------------------------------------------------------------------------------------------------------	--------------------------------------------------------------------------------------------------------------------------------------------------------------------------------------------------------------------------------------------------



DESCRIPTION: STABILIZER BOARDS

DIMENSION: 3/4 x 4 x 81-3/4

ISU-LOFT BED CHANNEL  
 NEW STANDARD

PRINT# DH-46

LOCATION: WIPI-TOURISM-SVR\CAD 2014\CUSTOM ITEMS\DH\PDF\DH-46 ISU LOFT BED CHANNEL-NEW STAND.

QTY: 2  
 Part #: xx

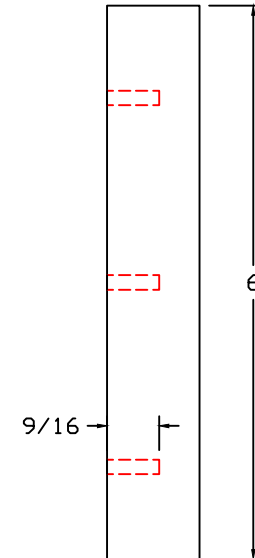
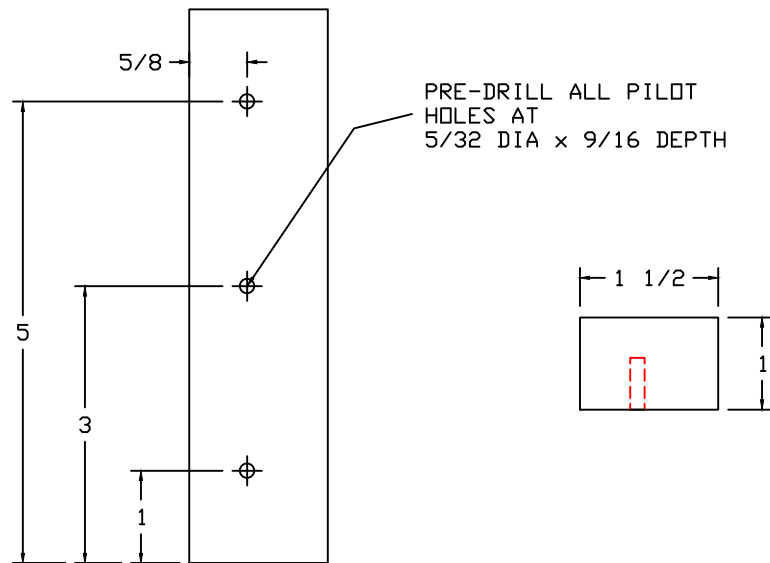
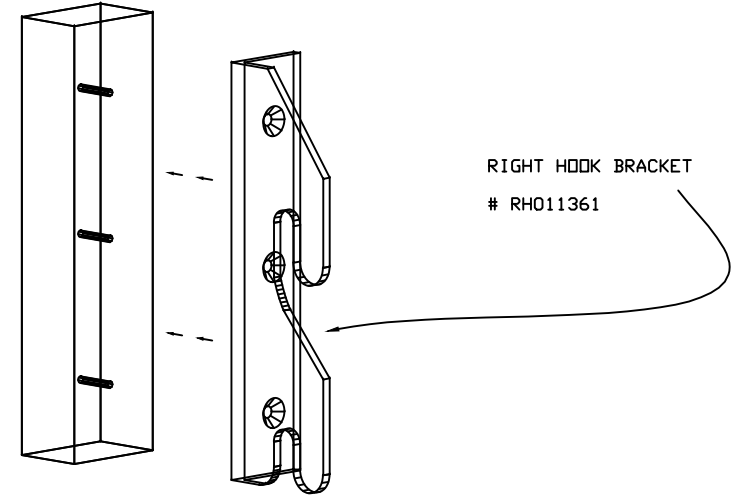
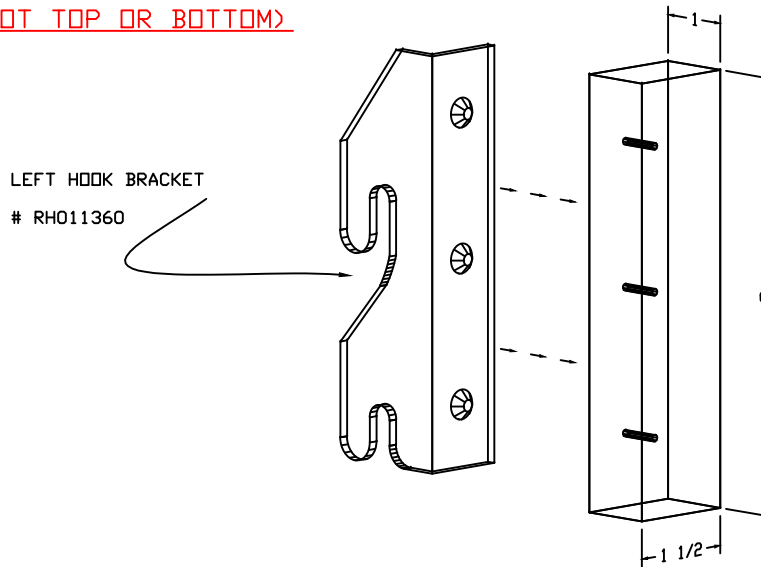
REQUESTED BY: SETH ESSING

DATE: 8/1/14

REV: 12/10/14  
 SHEET 7 OF 10

**NOTE:** ALL FOUR EDGES ON LOCK BLOCK BOARD GET 3/16 ROUNDOVER.  
(NOT TOP OR BOTTOM)

**NOTE:** HOOK BRACKETS ARE MOUNTED AFTER PRE-DRILL PILOT HOLES.



**DESCRIPTION:** LOCK BLOCKS

**DIMENSION:** 1 x 1-1/2 x 6

ISU-LOFT BED CHANNEL  
 NEW STANDARD

**PRINT#** DH-46

**LOCATION:** \\PI-TOURISM-SVR\CAD 2014\CUSTOM ITEMS\DH\PDF\DH-46 ISU LOFT BED CHANNEL-NEW STAND.

**QTY:** 2  
**Part #:** xx

**REQUESTED BY:** SETH ESSING

**DATE:** 8/1/14

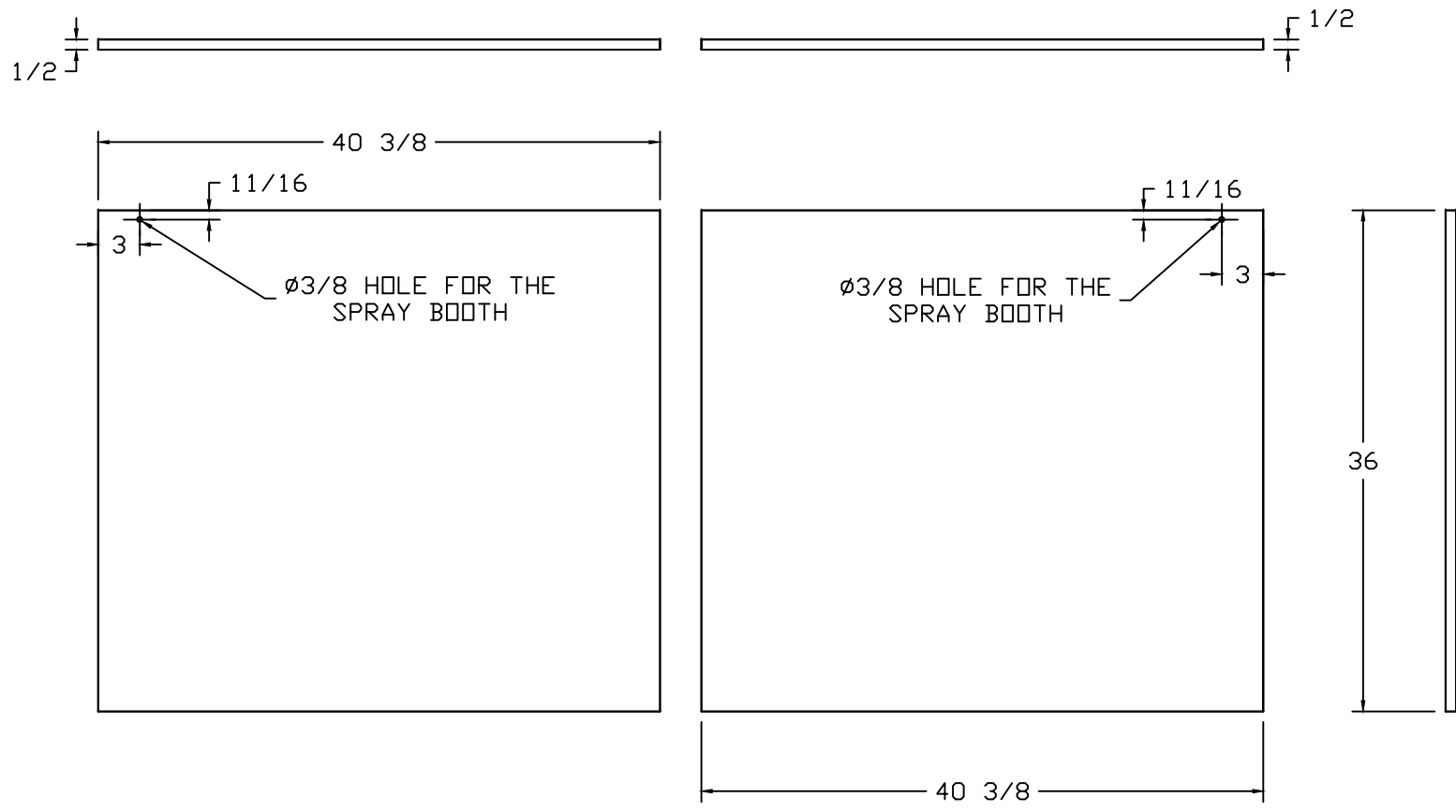
**REV:** 12/10/14

**DRAWN BY:** HARRIS

SHEET 8 OF 10



NOTE: MATERIAL CHANGED TO 1/2" BALTIC-BIRCH.



DESCRIPTION: PLATFORMS

DIMENSION: 1/2 x 36 x 40-3/8

ISU-LOFT BED CHANNEL  
NEW STANDARD

PRINT# **DH-46**

LOCATION: WIPI-TOURISM-SVR\CAD 2014\CUSTOM ITEMS\DH\PDF\DH-46 ISU LOFT BED CHANNEL-NEW STAND.

QTY: 2  
Part #: xx

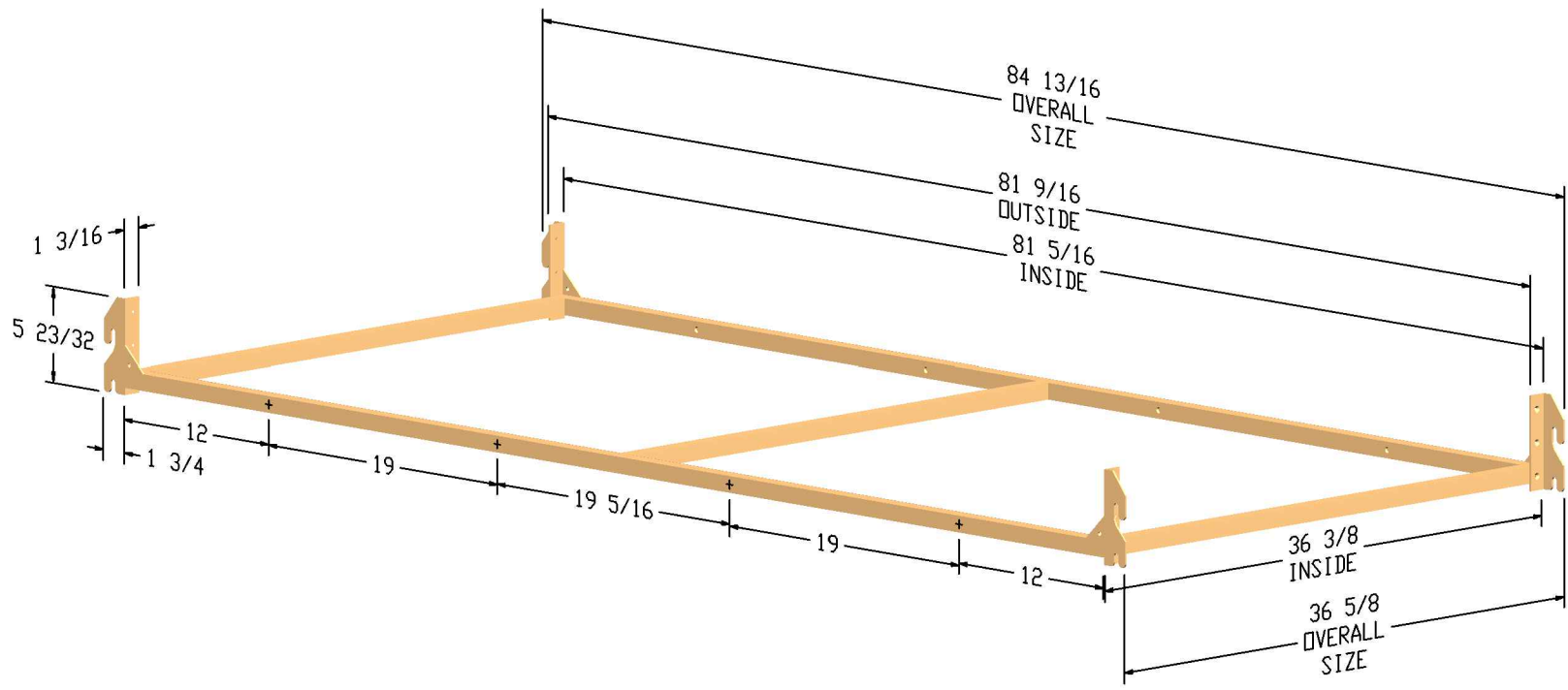
REQUESTED BY: SETH ESSING

DRAWN BY: HARRIS

DATE: 8/1/14

REV: 10/27/15

SHEET 9 OF 10



DESCRIPTION: STEEL BED FRAME

DIMENSION: 36-5/8d x 84-13/16w x 5-23/32h

ISU-LOFT BED CHANNEL  
NEW STANDARD

PRINT# DH-46

LOCATION: WIPI-TOURISM-SVR\CAD 2014\CUSTOM ITEMS\DH\PDF\DH-46 ISU LOFT BED CHANNEL-NEW STAND.

QTY: 1  
Part #: xx

REQUESTED BY: SETH ESSING

DATE: 8/1/14

REVISION: 12/10/14  
DRAWN BY: HARRIS  
SHEET 10 OF 10